



BZE6-2RN



Enclosed Switches Series E6: Top Plunger Actuator; 1NC 1NO SPDT Snap Action; 0.5 in - 14NPT conduit

Actual product appearance may vary.

Features

- Side or flange mount
- Momentary or maintained contact
- Grounding screw
- High capacity (22 amp) available
- Temperature range -32 °C to +71 °C [-25 °F to +160 °F]
- Zinc Die-Cast housing NEMA 1
- UL Recognized, file #E12252
- CSA Certified, file #LR41372
- NEMA 1, 3, 4 /IP66
- Pre-leaded or connector termination options

Potential Applications

- Packaging equipment
- Special machinery
- Textile machinery
- Conveyors
- Construction machinery and equipment
- Printing trades machinery
- Overhead cranes and hoists

Description

MICRO SWITCH™ E6 (side mount) and V6 (flange mount) switches are offered with or without actuator seal boots. Both have a combination insulator/seal cemented inside the bottom enclosure. Lead washers are used to seal the mounting holes on side mount switches. All side mount switches are installed with #6 screws, except the BZE6-2RN7 (#8 screws). Removal of the bottom enclosure exposes the terminals for easy wiring.

Product Specifications	
Availability	Global
Operating Force (O.F.)	2,50 N to 6,67 N [9 oz to 24 oz]
Release Force (R.F.)	1,11 N min. [4 oz min.]
Pretravel (P.T.)	1,98 mm max. [0.078 in max.]
Overtravel (O.T.)	5,56 mm min. [0.219 in min.]
Differential Travel (D.T.)	0,05 mm max. [0.002 in max.]
Product Type	Enclosed Switches
Actuator	Top Plunger
Circuitry	1NC 1NO SPDT Snap Action
Ampere Rating	15 A Ind./2 A Ind./0.5 A Res./0.25 A Res.
Supply Voltage	125 Vac, 250 Vac, 480 Vac/600 Vac/125 Vdc/250 Vdc
Housing Material	Zinc Die-Cast
Termination Type	0.5 in - 14NPT conduit
Housing Type	Split Housing, Side Mount
Series Name	E6/V6
Sealing	NEMA 1, 3, 4 /IP66
Approvals	UL recognized, CSA certified
CSA File #	LR41372
UL File #	E12252
Operating Temperature Range	-32 °C to 71 °C [-25 °F to 160 °F]
Comment	With seal boot on plunger
UNSPSC Code	302119
UNSPSC Commodity	302119 Switches and controls and relays
Sealed	Industrial

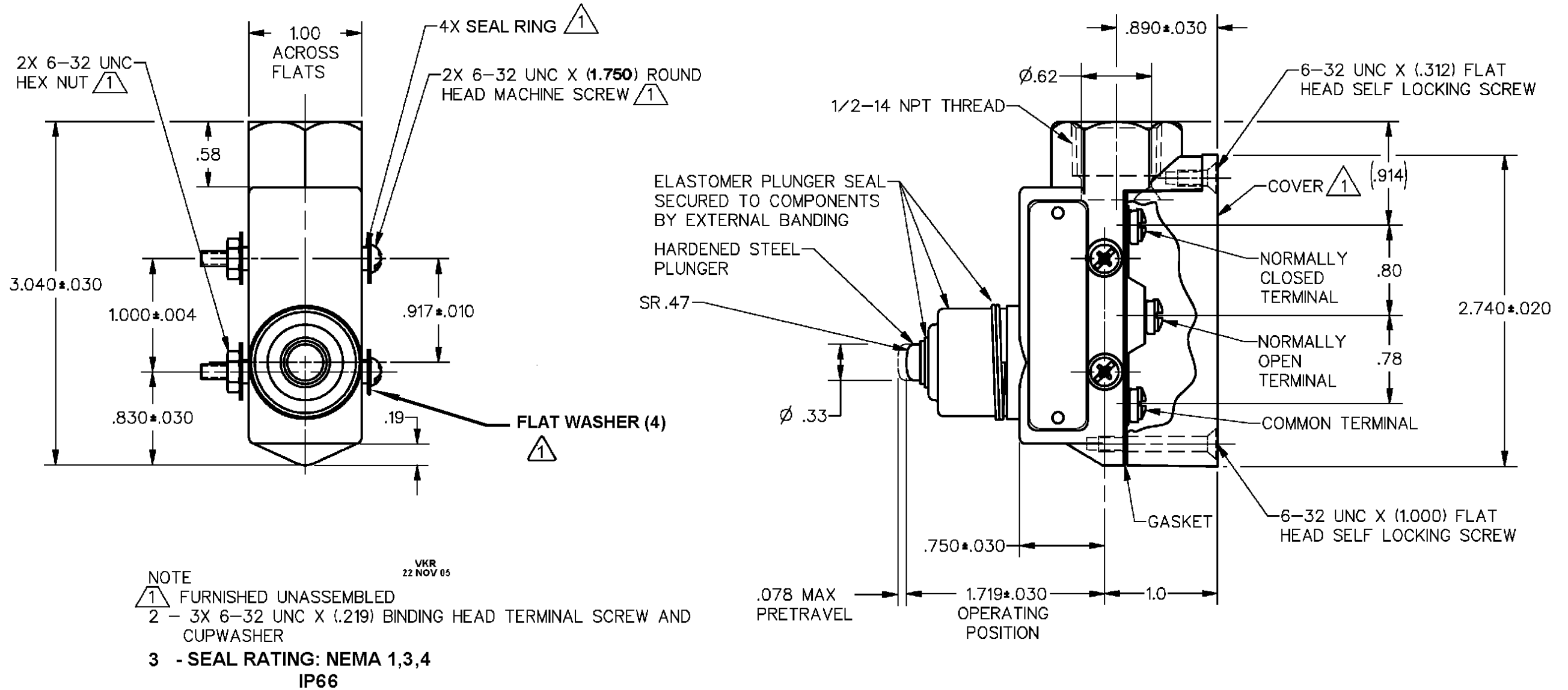
MICRO SWITCH
a Honeywell Division

SWITCH - ENCLOSED

CATALOG LISTING
BZE6-2RN

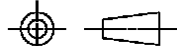
FED. MFG. CODE 91929

CATALOG LISTING
BZE6-2RN
 REPLACES
 ISSUE **M**
15
 PSR 29AUG07
 CHECK 29AUG07
 RELEASE NO.
 REVISIONS
 A 00-73736
 S A V 5 OCT 92
 B 00-73655
 S M 21 APR 93
 C 00-77179A
 K D R 17 FEB 94
 D 0017057
 VKR 22 NOV 05
 E 0023923
 RKP 21 AUG 06
 F 0025947
 KNS 30 OCT 06
 G 0033014
 BS 29 AUG 07
 BP 22 NOV 05
 CHECK 22 NOV 05
 DRAWN
RASTER
 S A V 5 OCT 92
 CHECK 5 OCT 92



THIS DRAWING COVERS A PROPRIETARY ITEM AND IS THE PROPERTY OF MICRO SWITCH, A DIVISION OF HONEYWELL. THIS DRAWING IS NOT TO BE COPIED OR USED WITHOUT THE APPROVAL OF MICRO SWITCH

THIRD ANGLE PROJECTION



CHARACTERISTICS	ELECTRICAL DATA
OPERATING FORCE ———— 9-24 OZ	CONTACT ARRANGEMENT S P D T
RELEASE FORCE ———— 4 OZ MIN	L74 15A 125, 250 OR 480 VAC 2A 600 VAC
DIFFERENTIAL TRAVEL ——— .002 MAX	1/8HP 125 VAC, 1/4HP 250 VAC
OVERTRAVEL ———— .219 MIN	1/2A 125 VDC, 1/4A 250 VDC
BASIC SWITCH REPLACEMENT ——— BZ-2RQ77	CE 1.5A, 240 Vac

CHARACTERISTICS	ELECTRICAL DATA
OPERATING FORCE ———— 9-24 OZ	CONTACT ARRANGEMENT S P D T
RELEASE FORCE ———— 4 OZ MIN	L74 15A 125, 250 OR 480 VAC 2A 600 VAC
DIFFERENTIAL TRAVEL ——— .002 MAX	1/8HP 125 VAC, 1/4HP 250 VAC
OVERTRAVEL ———— .219 MIN	1/2A 125 VDC, 1/4A 250 VDC
BASIC SWITCH REPLACEMENT ——— BZ-2RQ77	CE 1.5A, 240 Vac

SCALE	TOLERANCES
FULL	UNLESS OTHERWISE SPECIFIED TOLERANCES ARE
DO NOT SCALE PRINT	ONE PLACE (.0) ±.030
	TWO PLACE (.00) ±.015
	THREE PLACE (.000) ±.005
	ANGLES ±

WEIGHT	.56 LB
--------	--------

ANSI Y14.5M-1982 APPLIES